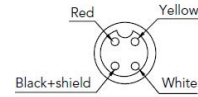


Extreme Series Cameras

1700A

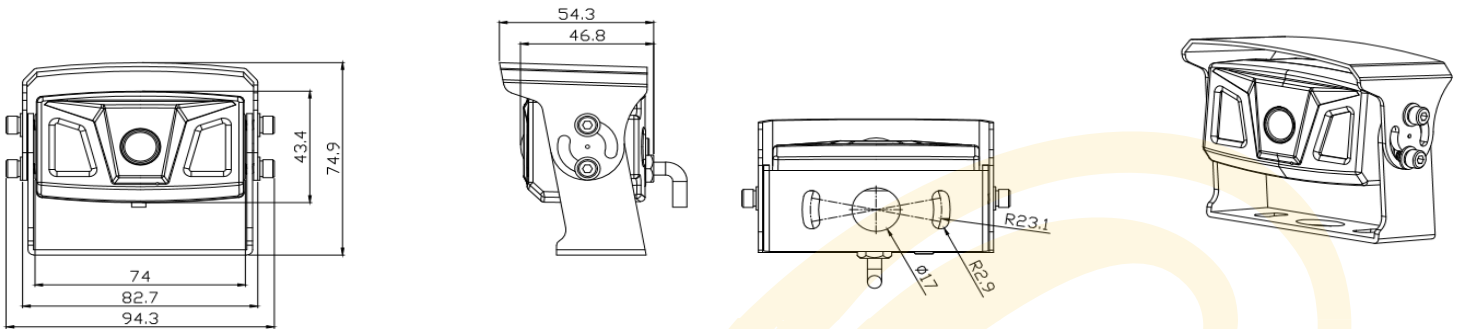


Model Number	1700A
Description	Reversible Camera
Color Available	Black
IP Rating	IP69K
Power Consumption (IR off)	1.08W @12V (Nominal)
Power Consumption (IR on)	2.88W @12V (Nominal)
Power Consumption (IR and HC On)	10W @ 12V (Peak) 5C or Below
Connection Type	GX12-4F Locking Connector



SPECIFICATIONS

Sensor	1/3 Sony IMX225	
Output Resolution	1280 x 960 (ATSC)	
Lens	f=1.98mm	
Lens Angle	Horizontal	120° ±3°
	Vertical	68° ±3°
	Diagonal	145° +/-5
Minimum Illumination	0 Lux (IR ON)	
IR LED	2 pcs	
Night Vision Distance	35 ft.	
Environmental Rating	IP69K	
Vibration Rating	10G	
Nominal Supply Voltage	12V	
Operation Temperature	-40°~+70C°	
Video Output Format	AHD (NTSC)	
Mirror Switch	Included	
Audio	Included	
Heat Chip	Included	



See Clarity See Performance See Durability See Quality *See Everything* See Clarity See Performance See Durability See Quality *See Everything*